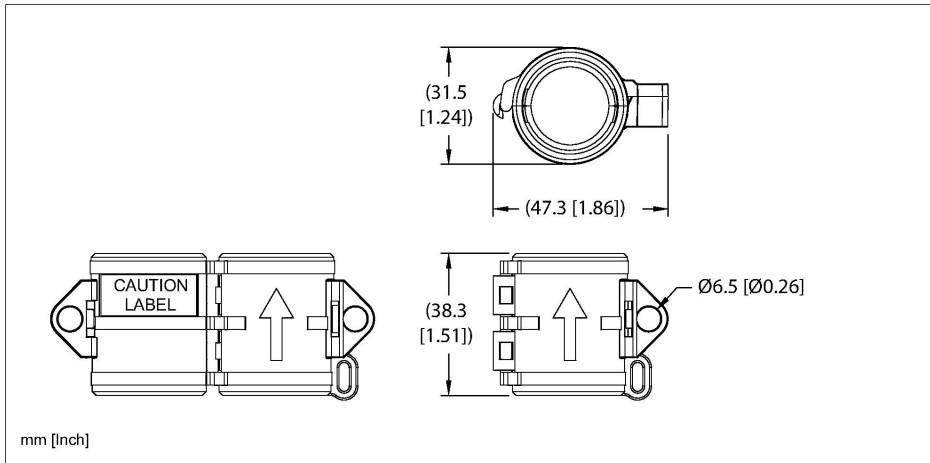


# LOCK-A POWER

## Power Accessory – Lokfast guard

### Minifast A-size powerfast



#### Technical data

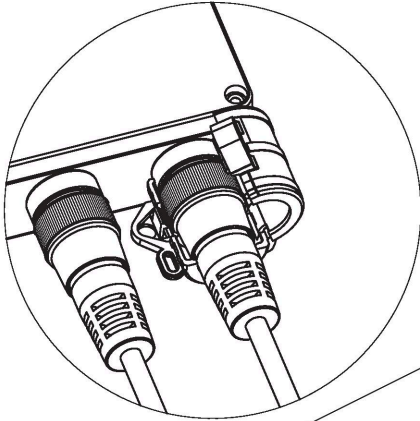
Type	LOCK-A POWER
ID	A9566
Housing	Plastic, PA66, Yellow
Connector A	7/8"-16 UN
Note	- We reserve the right to make technical alterations without prior notice.

#### Features

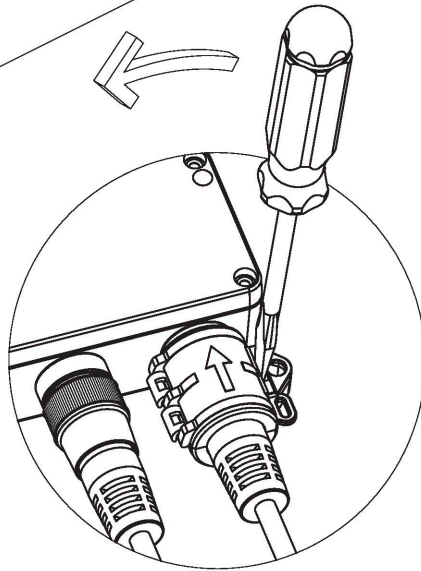
- 7/8" powerfast lokfast
- Locking device for straight Minifast standard connectors (RKM, RKV, RSM and RSV)



## Installation Instructions



TO INSTALL LOCKOUT  
DEVICE, PLACE AROUND  
CORDSET END AND CLOSE  
UNTIL CONNECTOR SNAPS  
CLOSED.



TO REMOVE LOCKOUT  
DEVICE, INSERT SMALL  
SCREWDRIVER INTO LOCKING  
GROOVE AS SHOWN IN  
PICTURE. ROTATE  
SCREWDRIVER IN DIRECTION  
SHOWN UNTIL LOCKING  
DEVICE RELEASES.